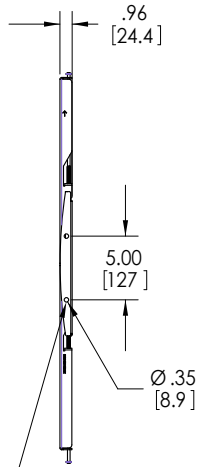
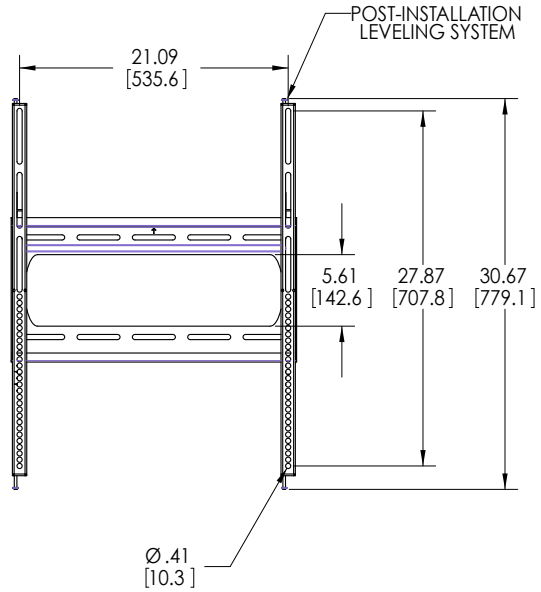
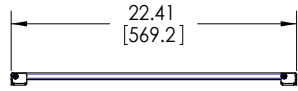
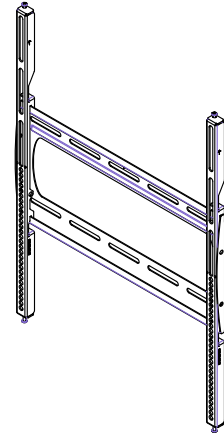
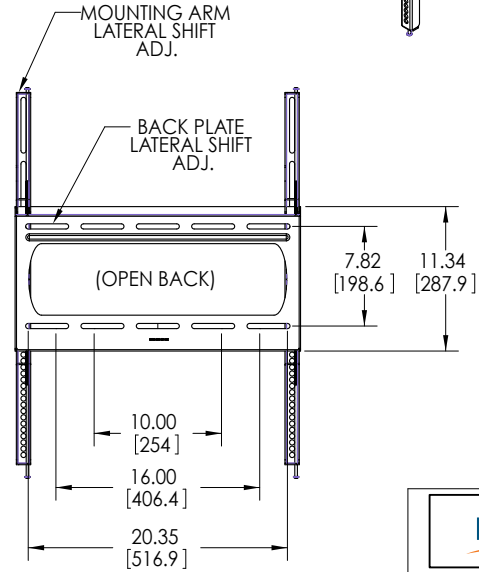


THE INFORMATION CONTAINED IN THIS DRAWING IS THE SOLE PROPERTY OF PLANAR SYSTEMS. ANY REPRODUCTION IN PART OR WHOLE WITHOUT THE WRITTEN PERMISSION OF PLANAR SYSTEMS IS PROHIBITED.



(OPTION) BACK PLATES
MAY BE BOLTED SIDE BY SIDE
FOR VIDEO WALL APPLICATIONS



ITEM DESCRIPTION:	
FWMP-MXL	
SIZE	DWG. NO.
B	
SCALE: 1:1	
SHEET 1 OF 1	